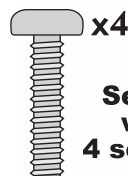
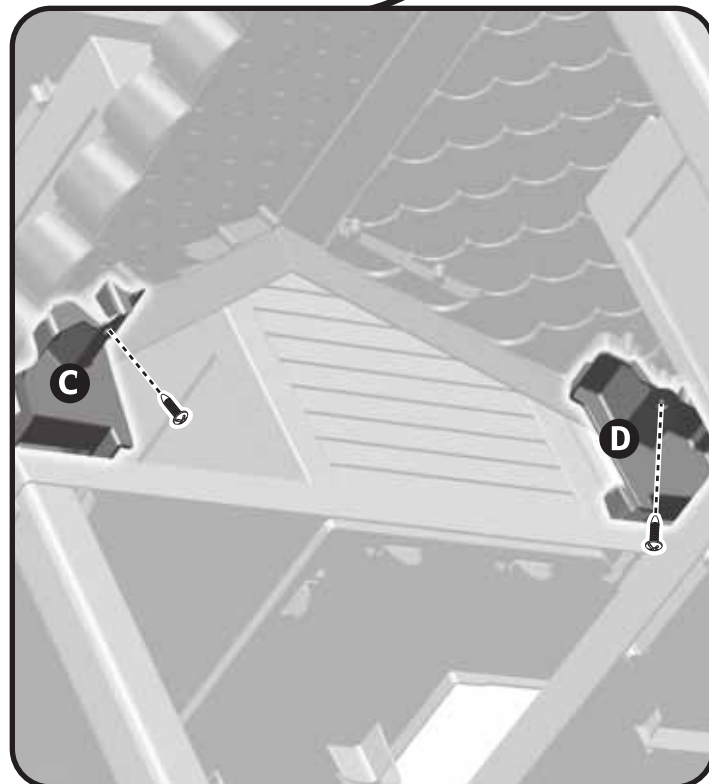
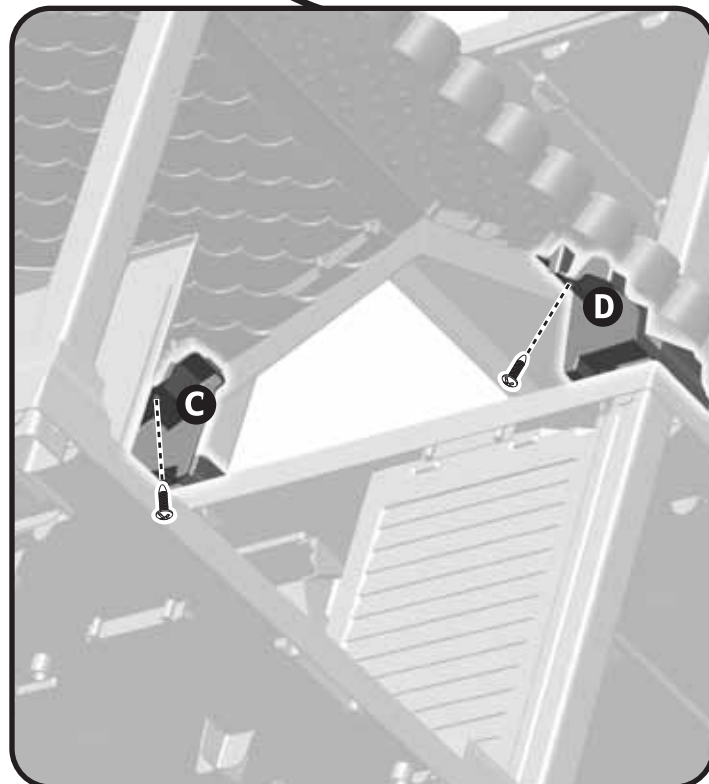
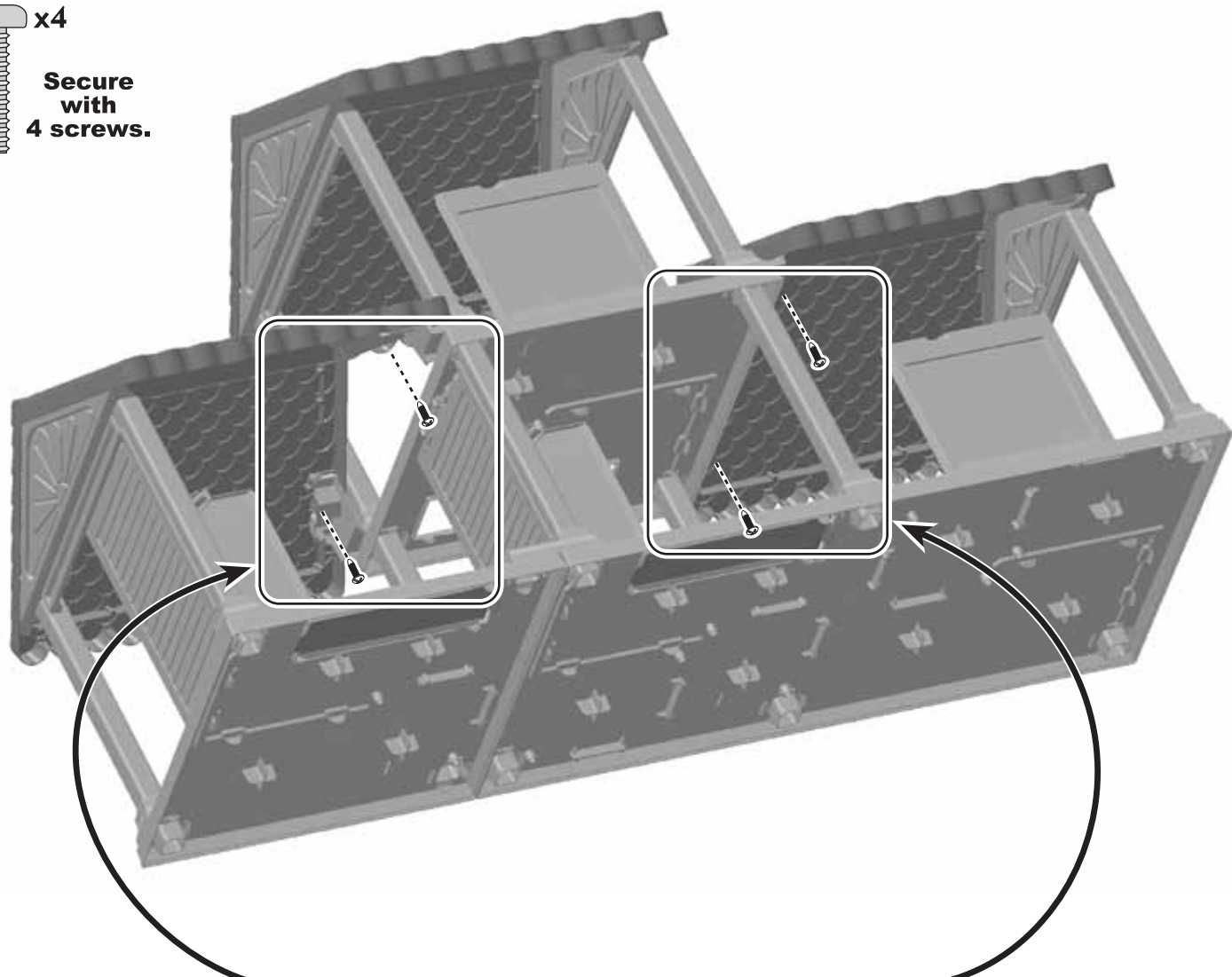


19 Position house on its side for better access to screw locations.



Secure with 4 screws.



#90744 Assembly Instructions



799 Ladd Rd.
Walled Lake, MI
48390

Save this sheet for future reference.

ADULT ASSEMBLY REQUIRED.
Tools needed: screwdriver
(not included).



Power screwdriver recommended

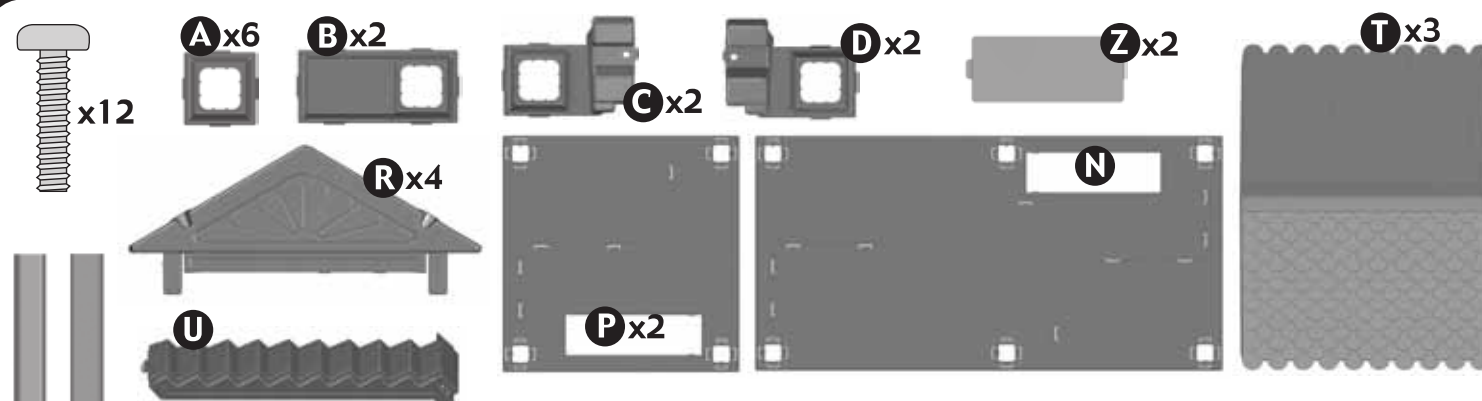
WARNING:

CHOKING HAZARD - Small parts.
This package contains screws.
Not suitable for children under 36 months.
ADULT ASSEMBLY REQUIRED.

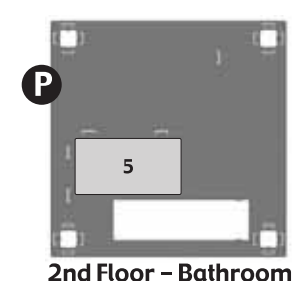
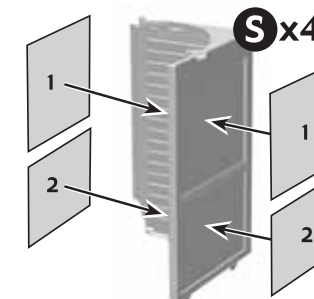
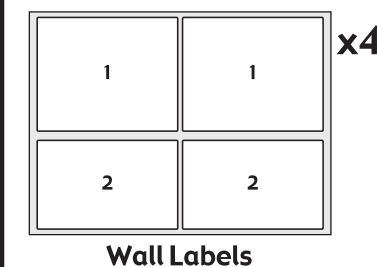
If you have any questions about this product, or are missing a part, please call us toll-free at 1-800-521-7080 or visit our website rather than return this product to the store.

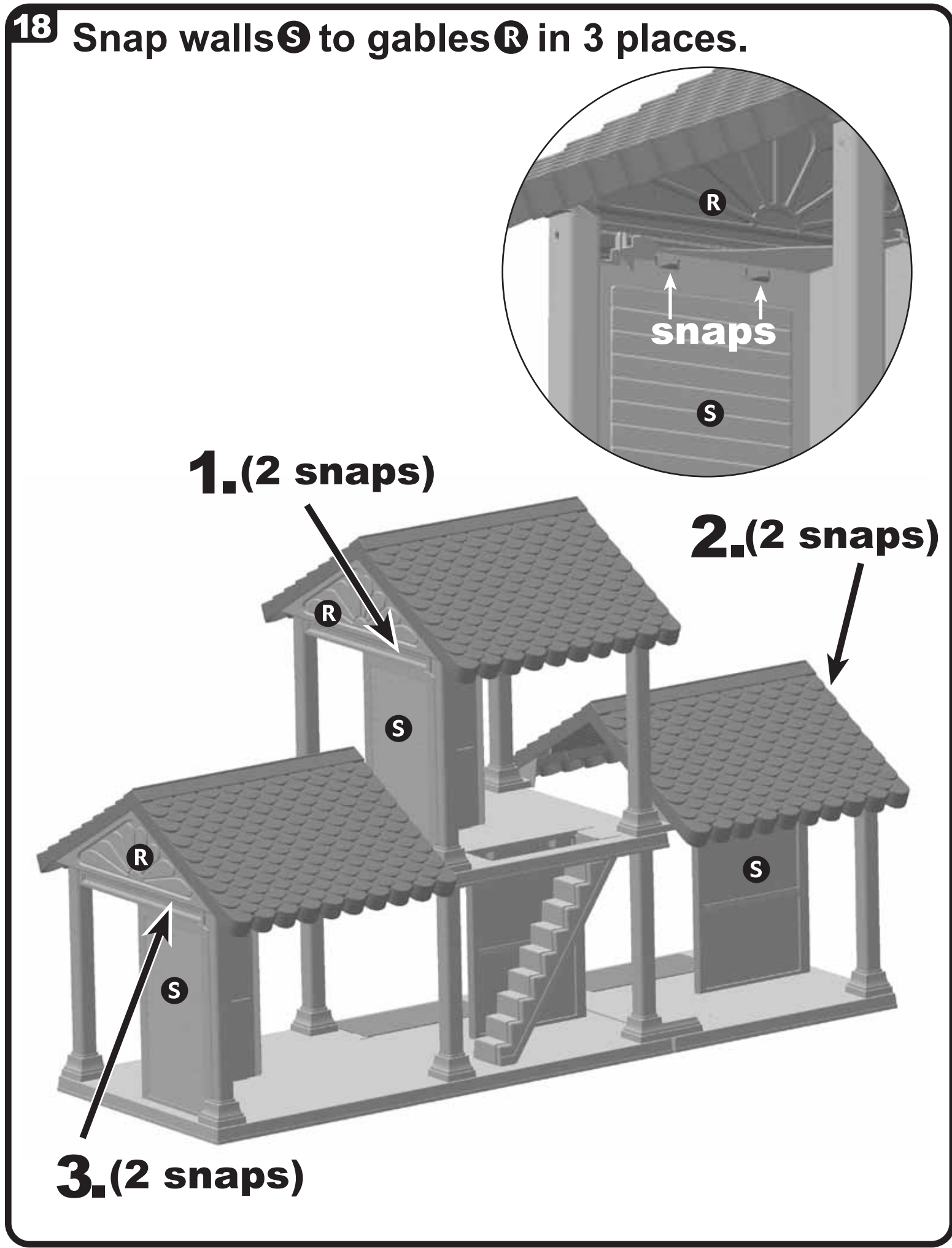
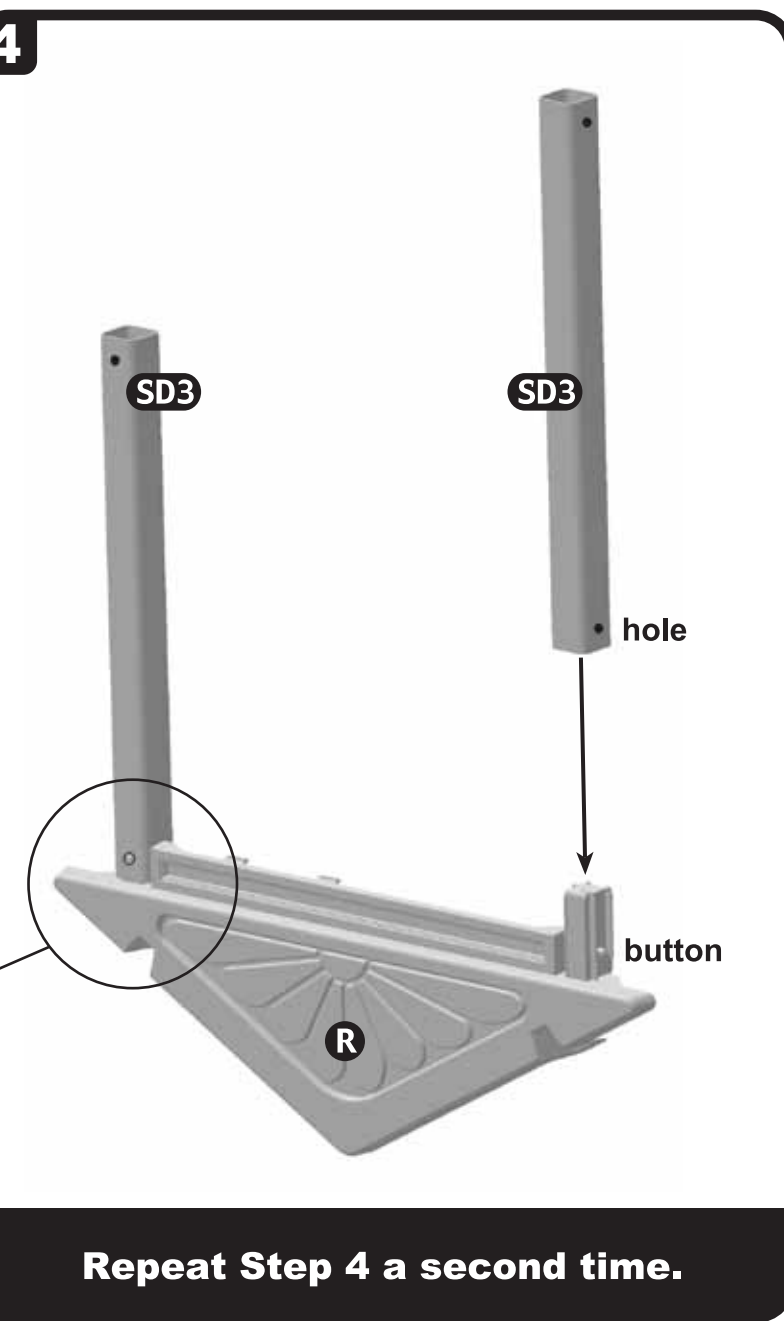
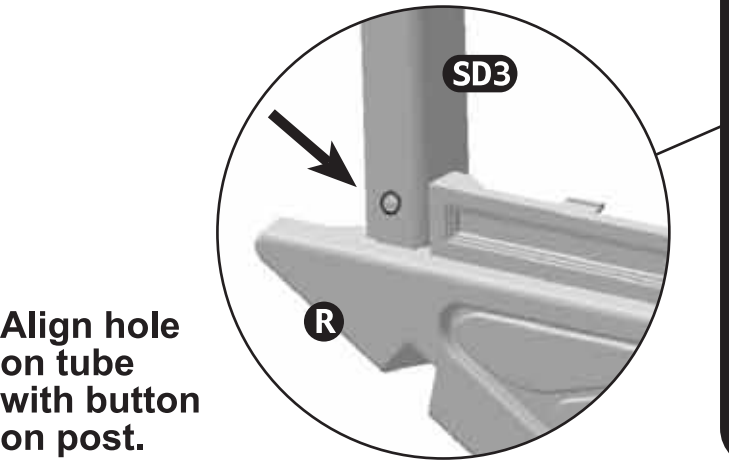
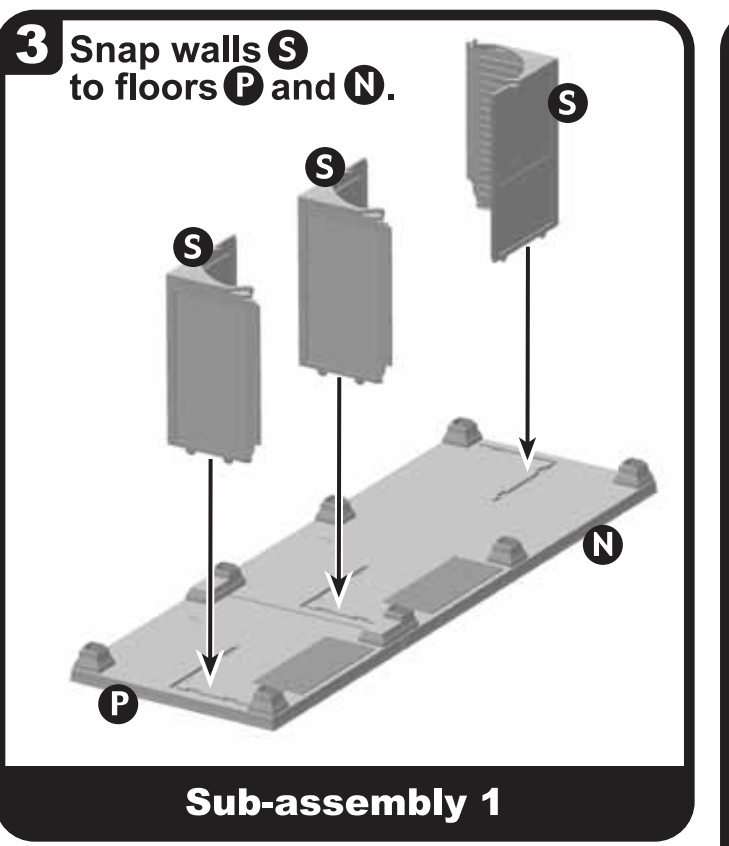
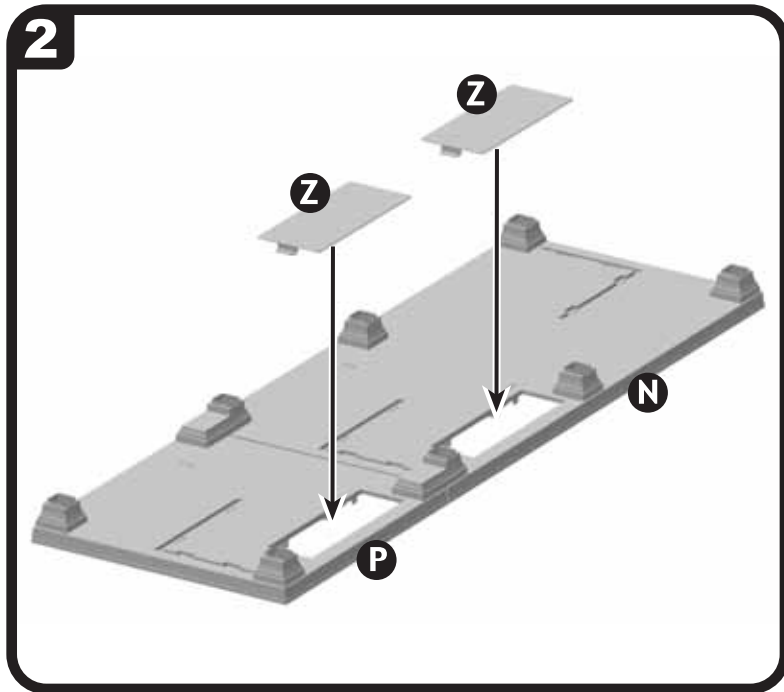
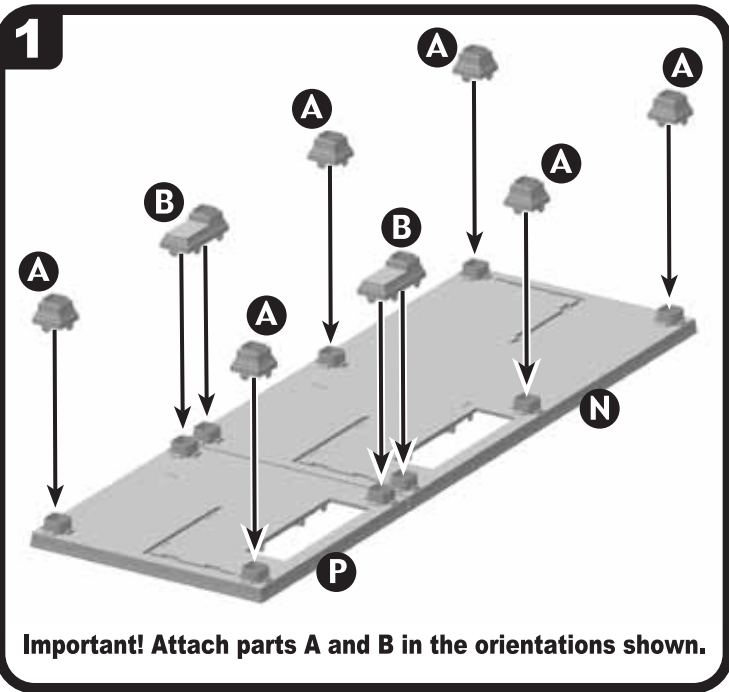
M-F 7:30 - 4:30 EST www.americanplastictoys.com

KEEP SMALL PARTS, HARDWARE, AND PLASTIC BAGS OUT OF CHILDREN'S REACH.



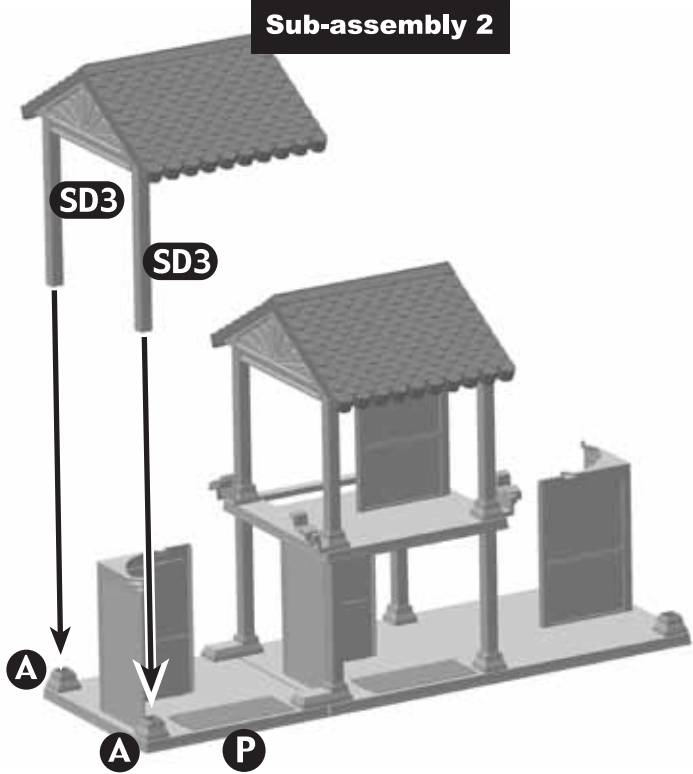
Suggested label placement





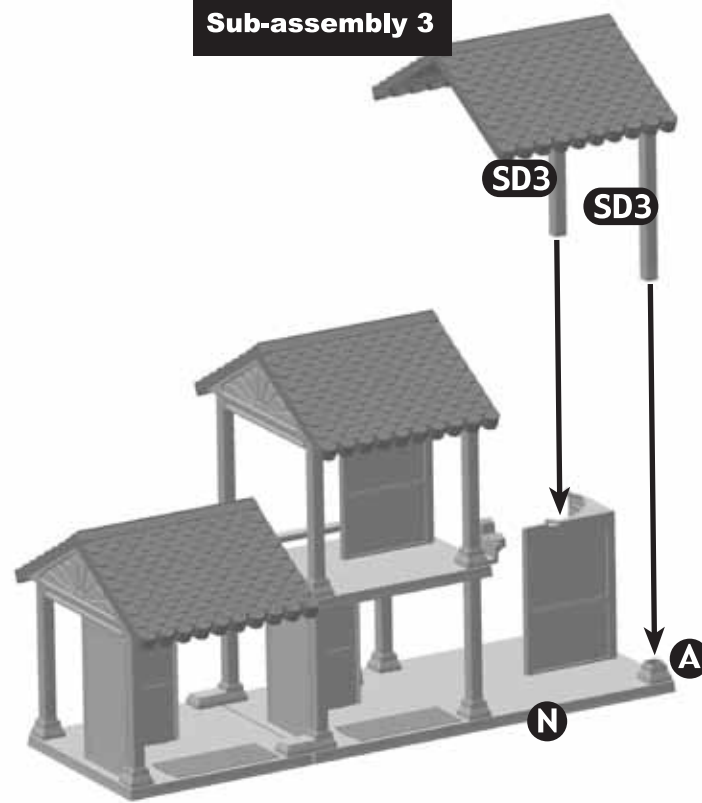
15

Align tubes **SD3** with parts **A** as shown and snap into place.

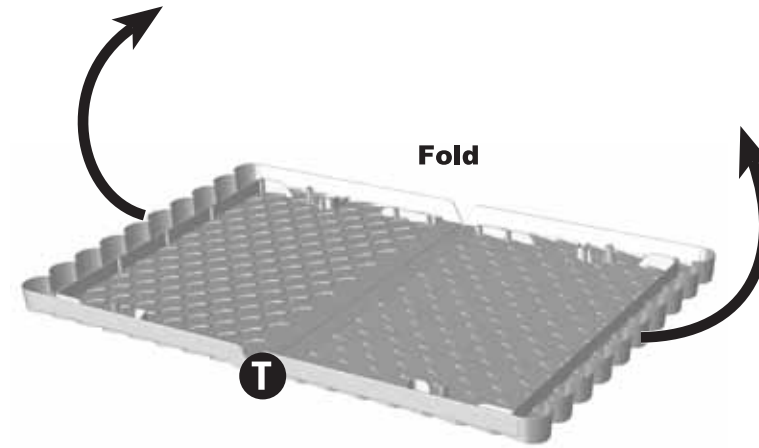


16

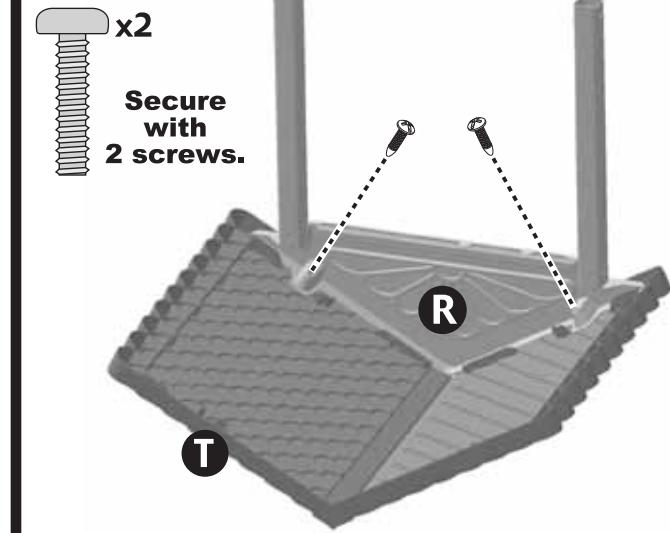
Align tubes **SD3** with parts **A** as shown and snap into place.



5



6



Sub-assembly 2

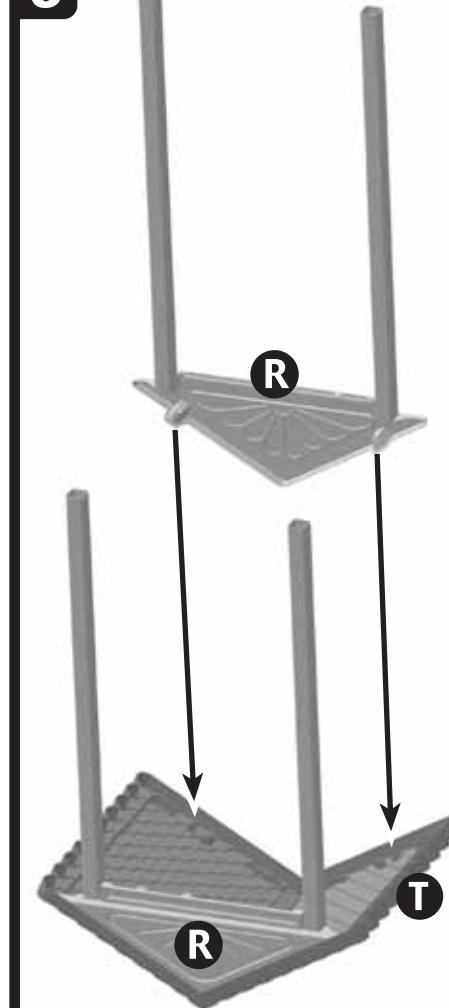
7 Repeat Steps 5 & 6 to create Sub-Assembly 3

8



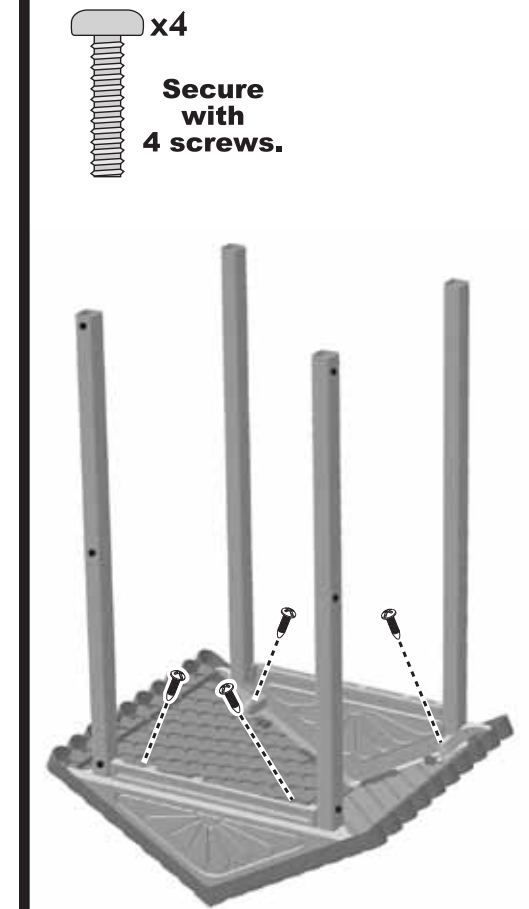
Repeat Step 8 a second time.

9



Align screw holes of **R** with screw mounts of **T**.

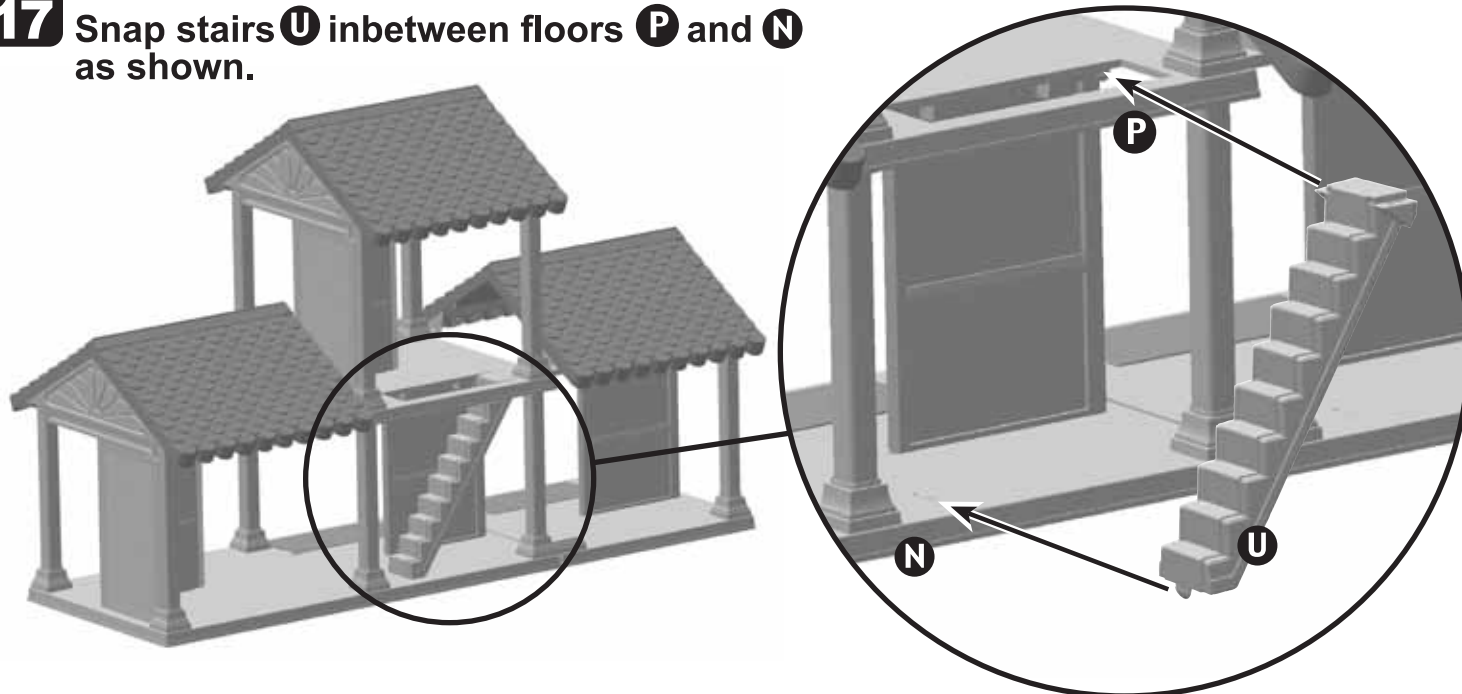
10



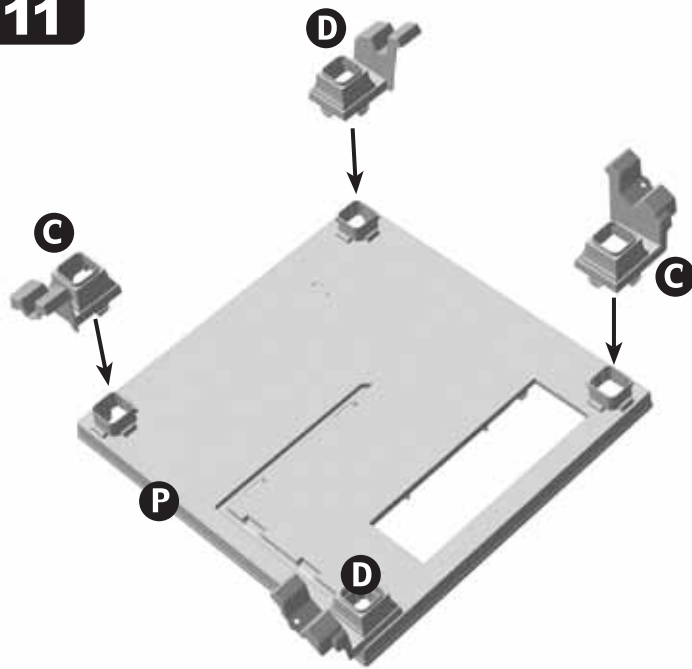
Sub-assembly 4

17

Snap stairs **U** inbetween floors **P** and **N** as shown.



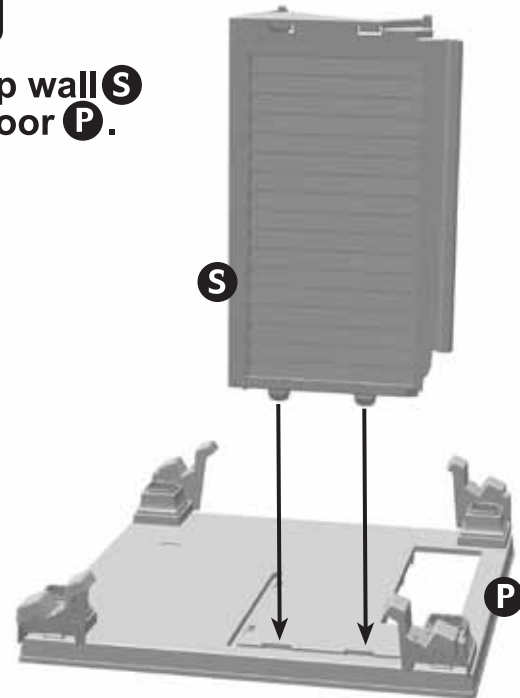
11



Important! Attach parts C and D in the orientations shown.

12

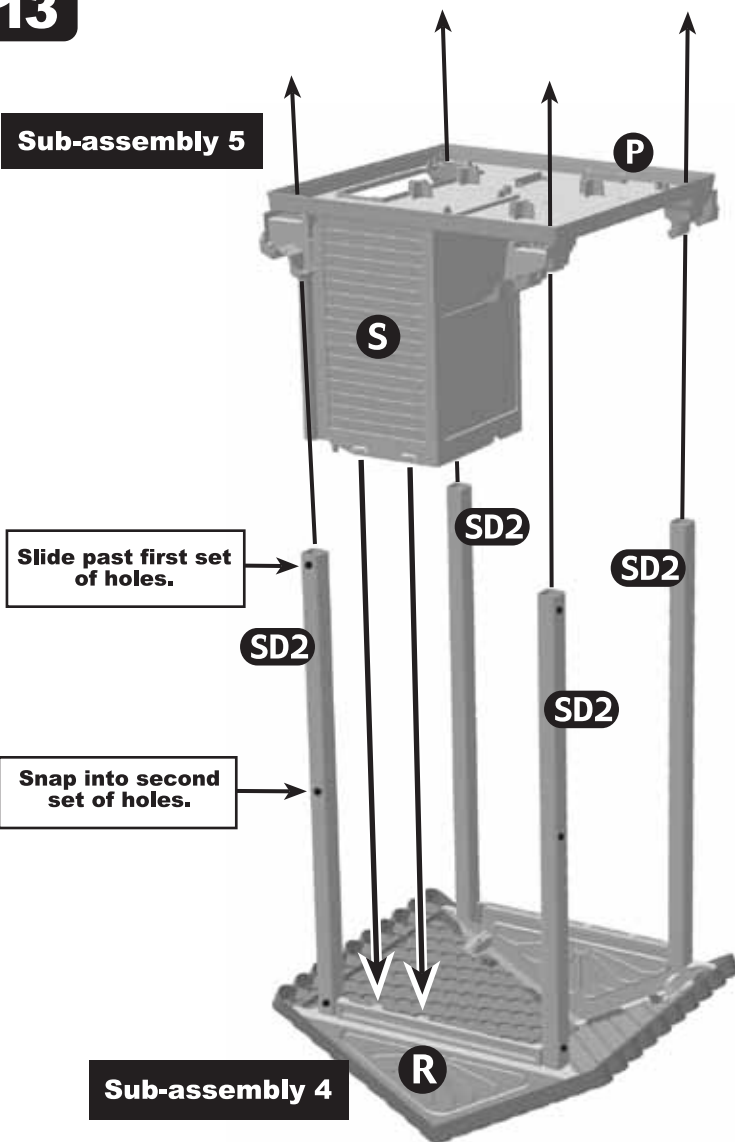
Snap wall S to floor P.



Sub-assembly 5

13

Sub-assembly 5



Sub-assembly 4

Finished step looks like this.



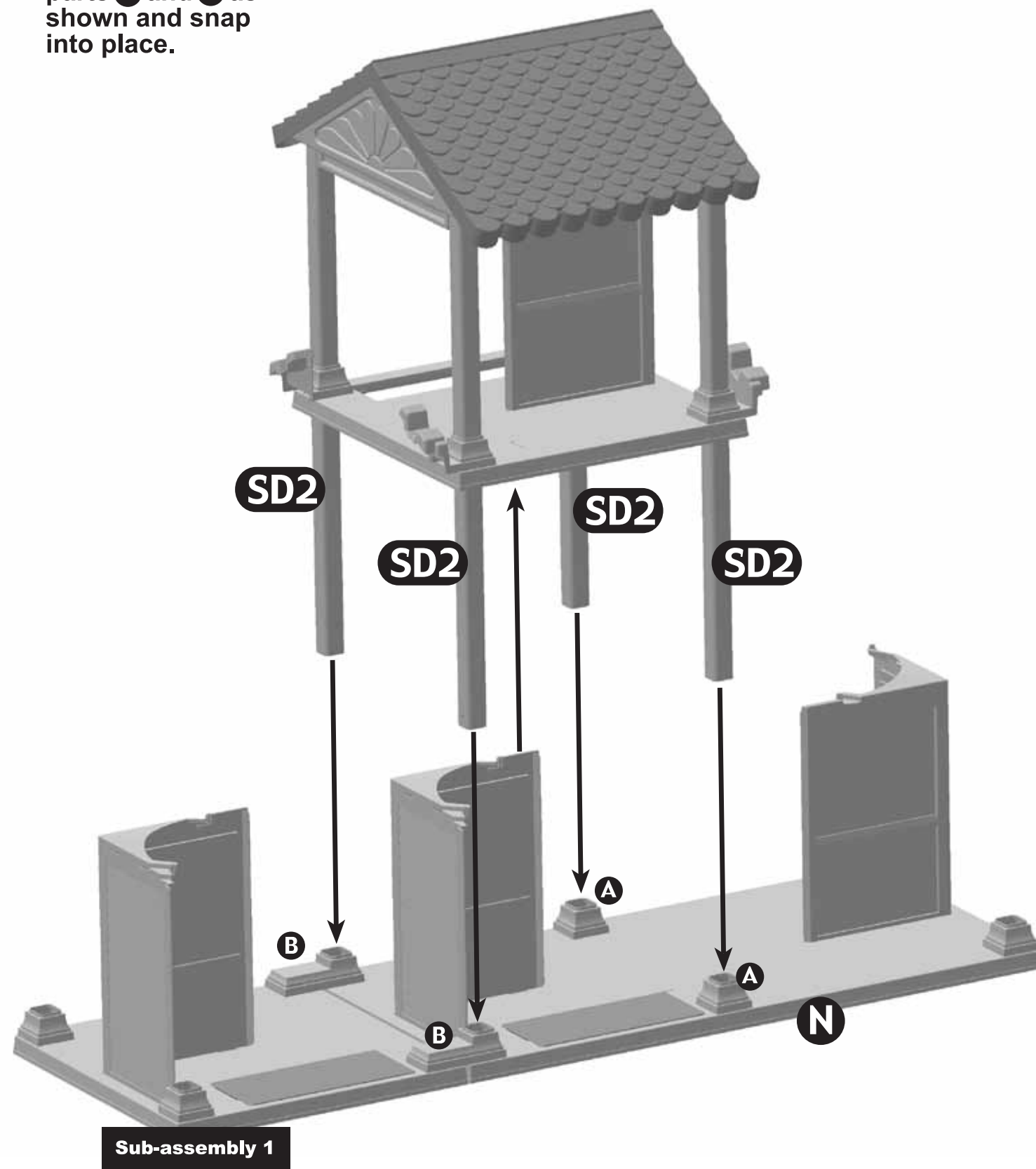
If a floor snaps into the wrong place, it can be repositioned.



To reposition floors, flex tab away from tube and slide.

14

Align tubes SD2 with parts A and B as shown and snap into place.



Sub-assembly 1